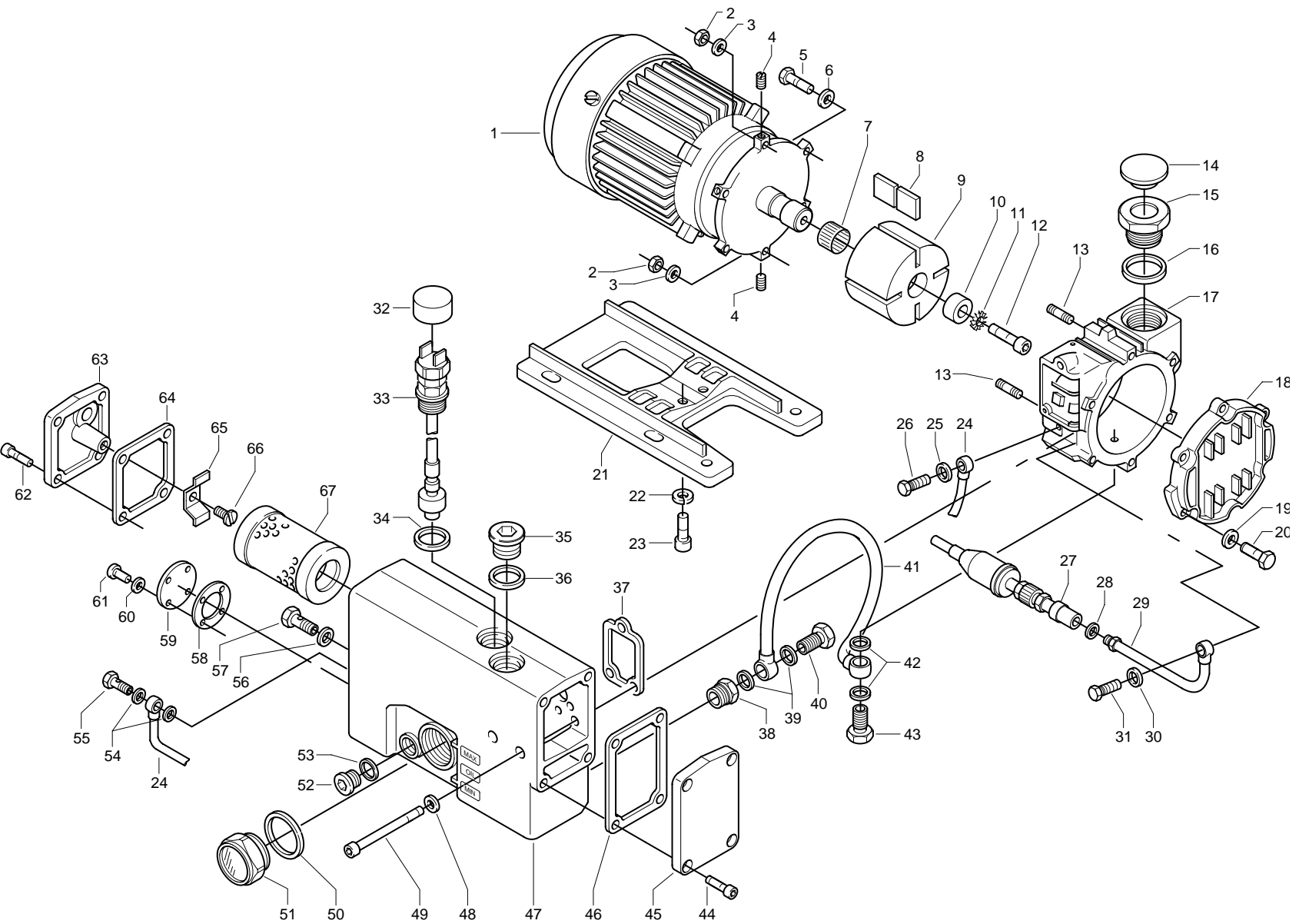


28 003600000



# U 1.16

Service: Tel. (02 02) 6 97-1 71 · Fax (02 02) 64 44 74 · E-mail: becker@becker.wuppertal.de · http://www.becker-international.com

Gabr. Becker GmbH & Co.KG · Hölker Feld 29-31 · D-42279 Wuppertal · Tel. (02 02) 9 97-0 · Fax (02 02) 66 08 55

Pos	Beschreibung	Description	Designation	Designazione
2	SECHSKANTMUTTER DIN 934 M6	HEX.NUT	ECROU A 6PANS	DADO ESAGONALE
3	UNTERLEGSSCHEIBE DIN 125 6,4	WASHER	RONDELLE	RONDELLA
4	GEWINDESTIFT DIN551 M4X6	THREADED PIN	GOUPILLE FILETEE	SPINA FILETTATURA
5	SECHSKANTSCHRAUBE DIN933 M6X20	HEX-HEAD SCREW	VIS HEXAGONALE	VITE ESAGONALE
6	UNTERLEGSSCHEIBE DIN 125 6,4	WASHER	RONDELLE	RONDELLA
7	STAR-TOLERANZRING	STAR-TOLERANCE-RING	BAGUE STAR	STAR-ANNELLO TOLLERANZA
8	SCHIEBER KUNSTSTOFF, SATZ	ROTOR VANE IN PLASTIC, KIT	PALETTE ON PLASTIQUE, KIT	PALETTE IN PLASTICA, KIT
9	KOLBEN U16	ROTOR	PISTON	ROTORE
10	SPANNSCHEIBE	CLAMPING DISC	DISQUE DE SERRAGE	DISCO DI FISSAGGIO
11	ZAHNSCHEIBE A 6,4 DIN 6797	TOOTHED SPRING WASHER	DENT DISQUE	DISCO A DENTE
12	INNENSECHSKANTSCHRAUBE DIN912 M6X25	SOCKET HEAD SCREW	VIS HEXAGONALE INTERNE	VITE ESAGONALE INTERNA
13	STIFTSCHRAUBE DIN939 M6FOX18	STUD	PRISONNIER	L'ASTA A VITE
15	RUECKSCHLAGKLAPPE U 1.16-0-162.1	NON RETURN VALVE U 1.16-0-162.1	SOUPAPE ANTI RETOUR U 1.16-0-162.1	VALVOLA NON RITORNO U 1.16-0-162.1
16	ALU-DICHTUNG	ALUMINIUM SEAL	JOINT ALU	GUARNIZIONE ALLUMINIO
17	GEHAEUSE	PUMP BODY	CORP DE POMPE	CARCASSA
18	SEITENDECKEL	SIDE SHIELD	FLASQUE PALIER	FLANGIA DESTRA
19	UNTERLEGSSCHEIBE DIN 125 6,4	WASHER	RONDELLE	RONDELLA
20	SECHSKANTSCHRAUBE DIN933 M6X20	HEX-HEAD SCREW	VIS HEXAGONALE	VITE ESAGONALE
21	FUSS	FOOT	PIED	PIEDE
22	FEDERSCHEIBE	SPRING DISC	DISQUE DE RESSORT	DISCO A MOLLA
23	INNENSECHSKANTSCHRAUBE DIN912 M6X20	SOCKET HEAD SCREW	VIS HEXAGONALE INTERNE	VITE ESAGONALE INTERNA
24	OELRUECKFUHRLEITUNG	OIL RETURN PIPE	TUYAU DE RETOUR D'HUILE	CONDOTTO OLIO
25	DICHTRING	SEALING RING	JOINT	ANELLO GUARNIZIONE
26	KUGELSTUECKSCHRAUBE	HOLLOW HOLDING SCREW	VIS CREUSE DE FIXATION	VITE PASSAGGIO OLIO
27	GASBALLASTVENTIL ST 683-0-1.1	GAS BALLAST VALVE ST 683-0-1.1	CLAPET DE VENTILATION ST 683-0-1.1	VALV.PER L ARIA DI RAF.ST 683-0-1.1
28	KUPFERRING DIN7603 A10X16X1,5	SEALING RING	JOINT	ANELLO
29	GASBALLASTLEITUNG	PIPE	TUYAU	CONDOTTO
30	DICHTRING	SEALING RING	JOINT	ANELLO GUARNIZIONE
31	KUGELSTUECKSCHRAUBE	HOLLOW HOLDING SCREW	VIS CREUSE DE FIXATION INDICATEUR	VITE PASSAGGIO OLIO
33	NIVEAUGEBER ST682-0-1.1	LEVEL INDICATOR	DE NIVEAU	INCATORE DI LIVELLO
34	DICHTRING	SEALING RING	JOINT	ANELLO GUARNIZIONE
35	VERSCHLUSSSCHRAUBE DIN908 R3/4	LOCKING-SCREW	BOUCHON	VITE DI CHIUSURA
36	ALU-RING	ALUMINIUM-RING	BAGUE ALU	ANNELLO ALLUMINIO
37	DICHTUNG	GASKET	JOINT	GUARNIZIONE
38	ANSCHLUSSSCHRAUBE	CONNECTING SCREW	VIS DE RACCORD	ATTACO FILETTATO
39	DICHTRING	SEALING RING	JOINT	ANELLO GUARNIZIONE
40	HOHLSCHRAUBE DIN7643-8 (M12X1,5)	HOLLOW SCREW	VIS CREUSE	VITE ESAGONALE
41	OELSAUGLEITUNG	OIL SUCTION PIPE	TUYAU D'HUILE	CONDOTTO OLIO
42	DICHTRING	SEALING RING	JOINT	ANELLO GUARNIZIONE
43	HOHLSCHRAUBE DIN7643-8 (M12X1,5)	HOLLOW SCREW	VIS CREUSE	VITE ESAGONALE
44	INNENSECHSKANTSCHRAUBE DIN912 M6X16	SOCKET HEAD SCREW	VIS HEXAGONALE INTERNE	VITE ESAGONALE INTERNA
45	OELBEHAELTERDECKEL	OIL TANK COVER	COUVERCLE RESERVOIR D'HUILE	COPERCHIO SERBATOIO OLIO
46	DICHTUNG	GASKET	JOINT	GUARNIZIONE
47	OELBEHAELTER/ABSCHIEDER	OIL SUMP-CASING OF OIL SEPARATOR	CARTER DE DESHUILEUR	CARCASSA SEPARATORE OLIO
48	DICHTRING	SEALING RING	JOINT	ANELLO GUARNIZIONE
49	INNENSECHSKANTSCHR. DIN912 M6X100	SOCKET HEAD SCREW	VIS HEXAGONALE INTERNE	VITE ESAGONALE INTERNA

## U 1.16

Pos	Beschreibung	Description	Designation	Designazione
50	DICHTUNG	GASKET	JOINT	GUARNIZIONE
51	OELSCHAUGLAS M40X1.5 +Dichtung	OIL SIGHT GLASS	VERRE REGARD	SPIA LIVELLO OLIO
52	VERSCHLUSS-SCHRAUBE	LOCKING SCREW	BOUCHON	VITE DI CHIUSURA
53	KUPFERRING DIN7603 16X22X1,5	SEALING RING	JOINT	ANELLO
54	DICHTRING	SEALING RING	JOINT	ANELLO GUARNIZIONE
55	VENTIL	VALVE	SOUPAPE	VALVOLA
56	KUPFERRING DIN7603 A8X13X1	SEALING RING	JOINT	ANELLO
57	RUECKSCHLAGVENTIL	NON-RETURN-VALVE	SOUPAPE ANTI-RETOUR	VALVOLA NON RITORNO
58	DICHTUNG Z.OELSTANDSCHALTER	GASKET	JOINT	GUARNIZIONE
59	VERSCHLUSSDECKEL	CAP	COUVERCLE	COPERCHIO
60	DICHTRING	SEALING RING	JOINT	ANELLO GUARNIZIONE
61	BEFESTIGUNGSSCHRAUBE	SCREW	VIS	VITE
62	INNENSECHSKANTSCHRAUBE DIN912 M6X16	SOCKET HEAD SCREW	VIS HEXAGONALE INTERNE	VITE ESAGONALE INTERNA
63	OELABSCHIEDERDECKEL U1.16-124	OIL SEPARATOR COVER	COUVERCLE DU SEPRATEUR D'HUILE	COPERCHIO SEPARATORE OLIO
64	DICHTUNG	GASKET	JOINT	GUARNIZIONE
65	ANPRESSFEDER	LEAF SPRING	RESSORT-JAME	MOLLA
66	ZYLINDERSCHRAUBE M4X8 DIN 84	CYLINDER SCREW	TETE A VIS CYLINDRIQUE	VITE A TESTA CILINDRICA
67	LUFTENTOEELEMENT 4900054151	OIL SEPARATING ELEMENT	ELEMENT SEPARATION HUILE	CARTUCCIA SEPARATORE OLIO

# U 1.16

		Bestell Nr. Ident No. No. Identification				Bestell Nr. Ident No. No. Identification						
Pos.	Serie	No. Identificazione		Pos.	Serie	No. Identificazione		Pos.	Serie	No. Identificazione		
2		94710400000	15	53750118900	27	56870199683	40	94840200000	52	95120202000	64	00300018900
3		94750400000	16	94801000000	28	94803800000	41	01150018900	53	94802500000	65	00900027000
4		94560700000	17	00010018900	29	51200018900	42	94803000000	54	94802700000	66	94630800000
5		94522200000	18	00070018900	30	94800200000	43	94840200000	55	56870299683	67	96540400000
6		94750400000	19	94750400000	31	00940019000	44	94531900000	56	94802800000		
7		91100500000	20	94522200000	33	74110299682	45	00170018900	57	53750018900		
8		90052600004	21	01510309000	34	94806200000	46	00700018900	58	81580000000		
9		02000082000	22	95170300000	35	95122000000	47	00160118900	59	00560000000		
10		01680005000	23	94532000000	36	94801300000	48	94802100000	60	94805000000		
11		94920300000	24	01190118900	37	00310018900	49	94537600000	61	94631000000		
12		94532100000	25	94800200000	38	91230600000	50	94807800000	62	94531900000		
13		94694400000	26	00940019000	39	94803000000	51	90730200000	63	00250018900		