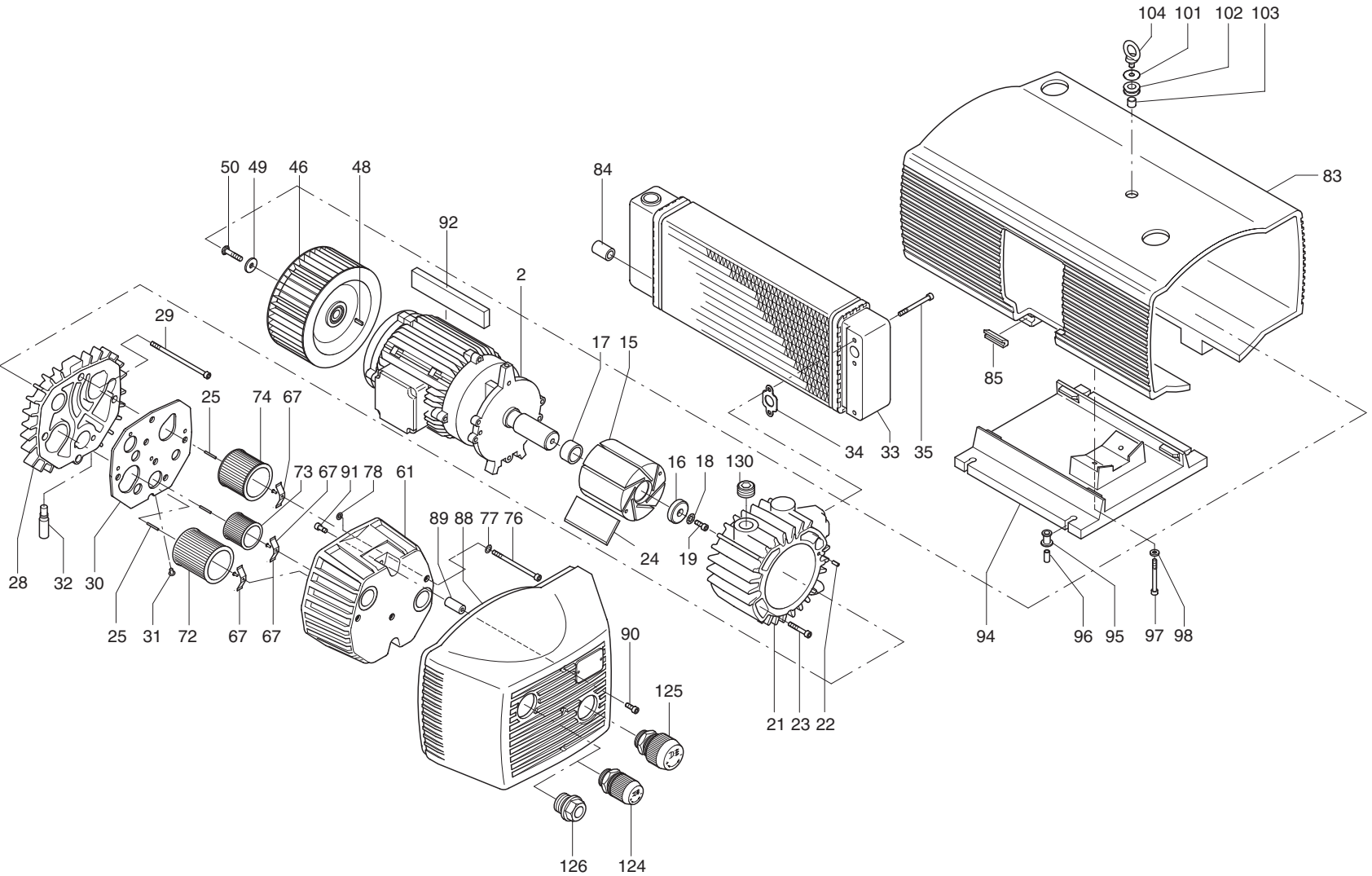


Ersatzteilliste
Spare parts list
Liste de pièces de rechange
Listino pezzi di ricambio

T 4.25-4.40 DSK
DT 4.25-4.40 K



Vakuum pumpen • Verdichter
Vacuum pumps • Compressors
Pompes à vide • Compresseurs
Pompe per vuoto • Compressori



28 005600000

T 4.25-4.40 DSK / DT 4.25-4.40 K

Pos	Beschreibung	Description	Designation	Designazione
15	KOLBEN	ROTOR	PISTON	ROTORE
16	SPANNSCHEIBE	CLAMPING DISC	DISQUE DE SERRAGE	DISCO DI FISSAGGIO
17	STAR TOLERANZRING	STAR-TOLERANCE-RING	STAR-ANNEAU DE TOLERANCE	STAR-ANELLO TOLLERANZA
18	ZAHNSCHEIBE	TOOTHED SPRING WASHER	DENT DISQUE	DISCO A DENTE
19	INNENSECHSKANTSCHRAUBE	SOCKET HEAD SCREW	VIS HEXAGONALE INTERNE	VITE ESAGONALE INTERNA
21	GEHAEUSE	PUMP BODY	CARCASSE	CARCASSA
22	SPANNHUELSE	LOCATING PEG	DOUILLE DE ETRAGE	SPINE DI RISCONTRO
23	INNENSECHSKANTSCHRAUBE	SOCKET HEAD SCREW	VIS HEXAGONALE INTERNE	VITE ESAGONALE INTERNA
24	SCHIEBER KOHLE	CARBON VANES	PALETTE DE CHARBON	PALETTE DI CHARBONE
25	SPANNHUELSE	LOCATING PEG	DOVILLE DE ETRAGE	SPINE DI RISCONTRO
28	SEITENDECKEL	LID	COUVERCLE	COPERCHIO
29	INNENSECHSKANTSCHR	SOCKET HEAD SCREW	VIS HEXAGONALE INTERNE	VITE ESAGONALE INTERNA
30	DICHTUNG	GASKET	JOINT	GUARNIZIONE
31	KERBNAGEL	SLOTTED PIN	GOUPILLE A ENCOCHE	PERNO
32	SCHALLDAEMPFERDUESE	NOZZLE	BUSE	UGGELLO
33	DRUCKLUFTKUEHLER	COOLER	REFROIDISSEUR	RAFFREDATORE
34	DICHTUNG	GASKET	JOINT	GUARNIZIONI
35	INNENSECHSKANTSCHRAUBE	SOCKET HEAD SCREW	VIS HEXAGONALE INTERNE	VITE ESAGONALE INTERNA
46	VENTILATOR MIT NABE	FAN	VENTILATEUR	VENTILATORE
48	PASSFEDER	KEY	CLAVETTE	CHIAVETTA
49	U-SCHEIBE	WASHER	RONDELLE	RONDELLA
50	WELLENENDSCHRAUBE	SHAFT END BOLD	VIS BOUT D'ARBRE	VITE DI CHIUSURA ALBERO
61	FILTERDECKEL	FILTER COVER	COUVERCLE DU FILTRE	COPERCHIO FILTRO
67	ANPRESSFEDER	LEAF SPRING	RESSORT-JAME	MOLLA
72	FILTERPATRONE	FILTER CARTRIDGE	CARTOUCHE FILTRE	CARTUCCIA FILTRO
73	FILTERPATRONE	FILTER CARTRIDGE	CARTOUCHE FILTRE	CARTUCCIA FILTRO
74	FILTERPATRONE	FILTER CARTRIDGE	CARTOUCHE FILTRE	CARTUCCIA FILTRO
76	INNENSECHSKANTSCHRAUBE	SOCKET HEAD SCREW	VIS HEXAGONALE INTERNE	VITE ESAGONALE INTERNA
77	DICHTUNG	SEALING RING	JOINT	ANELLO
78	O-RING	O-RING	ANNEAU-O	ANNELLO-O
83	GERAETEHAUBE	PROTECTING HOOD	CARTER PROTECTEUR	CAPOTO DI PROTEZIONE
84	SCHLAUCHSTUECK	TUBE FLEXIBLE	TUBE FLEXIBLE	TUBO FLESSIBILE
85	GUMMIFORMTEIL	RUBBER ELEMENT	ELEMENT EN CAOUTCHOUC	ELEMENTO IN GOMMA
88	GERAETEHAUBE	PROTECTING HOOD	CARTER PROTECTEUR	CAPOTO DI PROTEZIONE
89	GUMMIPUFFER	RUBBER BUFFER	ARMORTISSEUR EN CAOUTCHOUC	AMMORTIZZATORE IN GOMMA
90	INNENSECHSKANTSCHRAUBE	SOCKET HEAD SCREW	VIS HEXAGONALE INTERNE	VITE ESAGONALE INTERNA
91	INNENSECHSKANTSCHRAUBE	SOCKET HEAD SCREW	VIS HEXAGONALE INTERNE	VITE ESAGONALE INTERNA
92	KANTENSCHUTZ	EDGE PROTECTION	PROTECTION D'ARETE	LISTELLO DI PROTEZIONE
94	FUSS	FOOT	PIED	PIEDE
95	GUMMIFORMTEIL	RUBBER ELEMENT	ELEMENT EN CAOUTCHOUC	ELEMENTO IN GOMMA
96	DISTANZSTUECK	SPACING COLLAR	DONILLE D'ECARMENT	BOCCOLA DISTANZIATRICE
97	INNENSECHSKANTSCHRAUBE	SOCKET HEAD SCREW	VIS HEXAGONALE INTERNE	VITE ESAGONALE INTERNA
98	UNTERLEGSCHNEIBE	WASHER	RONDELLE	RONDELLA
101	VENTILTUELLER	VALVE DISC	PLATEAU DE SOUPAPE	PIATELLO DELLA VALVOLA
102	KABELTUELLE	RUBBER BUSHING	PROTECTION EN CAOUTCHOUC	PROTEZIONE IN GOMMA
103	DISTANZROHR	SPACER TUBE	TUBE D'ECARTEMENT	TUBO DISTANZA

T 4.25-4.40 DSK / DT 4.25-4.40 K

Pos	Beschreibung	Description	Designation	Designazione
104	RINGSCHRAUBE	RING SCREW	PITON	GANCIO
124	VAKUUMREGULIERVENTIL	VACUUM REGULATING VALVE	SOUPAPE REGLAGE VIDE	VALVOLA REGOLARE VUOTO
125	DRUCKREGULIERVENTIL	PRESSURE REGUL. VALVE		
126	DUESE	NOZZLE	GICLEUR	UGELLO
130	VERSCHLUSS-SCHRAUBE	LOCKING SCREW	BOUCHON	VITE DI CHIUSURA

		T 4.25 DSK				T 4.40 DSK DT 4.40 K				DT 4.25 K	
Pos.	Serie	Bestell Nr. Ident No. No. Identification No. Identificazione		Pos.	Serie	Bestell Nr. Ident No. No. Identification No. Identificazione		Pos.	Serie	Bestell Nr. Ident No. No. Identification No. Identificazione	
15		02000016400	90	15		02000016500	89 A...	15		02000016400	91
16		01680016500	91 <A	16		01680016500	90	16		01680016500	92
17		91101200000	91 A...	17		91100800000	91 <A	17		91101200000	94 DR
18		94920300000	92	18		94920300000	91 A...	18		94920300000	94 EW
19		94532000000	94 DR	19		94532000000	92	19		94532000000	95
21		00010027500	94 EW	21		00010027600	94 DR	21		00010027500	96
22		95180600000	95	21 Komori		00010127600	94 EW	22		95180600000	97
23		94532000000	96	22		95180600000	95	23		94532000000	98
24		90134900000	97	23		94532200000	96	24		90134900000	101
25		95200900000	98	24		90135200000	97	25		95200900000	102
28		00070027600	101	25		95200900000	98	28		00070127600	103
29		94537300000	102	28		00070027600	101	29		94537300000	104
30		00890016500	103	28 DT		00070127600	102	30		00890016500	125
31		94876300000	104	29		94537400000	103	31		94876300000	126
32		95311400000	124	30		00890016500	104	33		56020027500	130
33		56020027500	125	31		94876300000	124 A...	34		00570027600	
34		00570027600		32		95311400000	125	35		94532500000	
35		94532500000		33		56020027600	125 DT	46		50230016400	
46		50230016400		34		00570027600		48		94771300000	
48		94771300000		35		94532500000	126 DT	49		94945400000	
49		94945400000		46		50230116500	130 DT	50		90180400000	
50		90180400000		48		94771300000		61		00480027600	
61		00480027600		49		94945400000		67		00900016300	
67		00900016300		50		90180400000		72		90950500000	
72		90950500000		61 A...		00480327600		73		90951800000	
73		90951800000		67		00900016300		74		90952900000	
74		90952900000		72		90950500000		76		94537300000	
76		94537300000		73 DSK		90951800000		77		94802100000	
77		94802100000		74 DSK		90952900000		78		91316100000	
78		91316100000		76		94537300000		83 DR		00680027500	
83 DR		00680027500		77		94802100000		83 EW		00680227500	
83 EW		00680227500		78		91316100000		84		74260901000	
84		74260901000		83 DR		00680027600		85		95192000000	
85		95192000000		83 EW		00680427600		88		00680327600	
88		00680327600		84		74260901000		89 <A		74136400000	
89		74136400000		85		95192000000		89 A...		74136500000	
89 A...		74136500000		88		00680327600		90		94531800000	