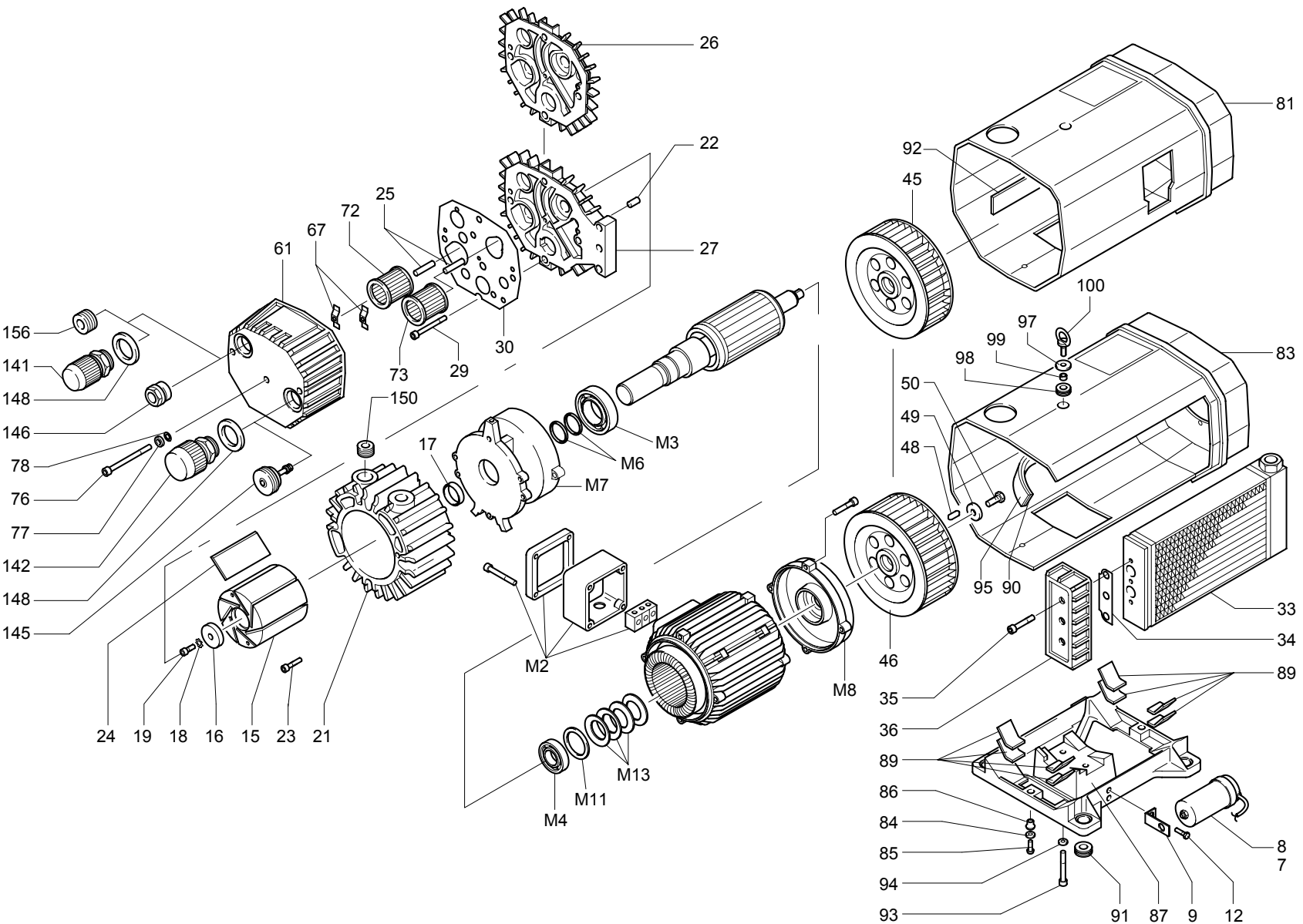


Ersatzteilliste
Spare parts list
Liste de pièces de rechange
Listino pezzi di ricambio

DT/VT 3.10-3.40

BECKER
 Vakuumpumpen • Verdichter
 Vacuum pumps • Compressors
 Pompes à vide • Compresseurs
 Pompe per vuoto • Compressori

28 001000000



Gabrr. Becker GmbH & Co.KG · Hölker Feld 29-31 · D-42279 Wuppertal · Tel. (02 02) 9 97-0 · Fax (02 02) 66 08 55
 Service: Tel. (02 02) 6 97-1 71 · Fax (02 02) 64 44 74 · E-mail: becker@becker.wunnet.de · http://www.becker-international.com

DT/VT 3.10 / 3.16 / 3.25 / 3.40 / 3.60

Pos	Beschreibung	Description	Designation	Designazione
7	KONDENSATOR	CAPACITOR	CONDENSATEUR	CONDENSATORE
8	KONDENSATOR	CAPACITOR	CONDENSATEUR	CONDENSATORE
9	Befestigungswinkel	HOLDING BRACKET	ANGLE DE MONTAGE	ATTACCO MONTAGGIO
12	Niet	SLOTTED PIN	GOUPILLE A ENCOUCHE	PERNO
15	KOLBEN	ROTOR	PISTON	ROTORE
16	SPANNSCHEIBE	CLAMPING DISC	DISQUE DE SERRAGE	DISCO DI FISSAGGIO
17	STAR TOLERANZRING	STAR-TOLERANCE-RING	STAR-ANNEAU DE TOLERANCE	STAR-ANELLO TOLLERANZA
18	ZAHNSCHEIBE	TOOTHED SPRING WASHER	DENT DISQUE	DISCO A DENTE
19	INNENSECHSKANTSCHRAUBE	HEX HEAD SCREW	VIS HEXAGONALE	VITE ESAGONALE
21	GEHAEUSE	PUMP BODY	CARCASSE	CARCASSA
22	SPANNHUELSE	LOCATING PEG	DOUILLE DE ETRAGE	SPINE DI RISCONTRO
23	INNENSECHSKANTSCHRAUBE	SOCKET HEAD SCREW	VIS HEXAGONALE INTERNE	VITE ESAGONALE INTERNA
24	SCHIEBER	CARBON VANES	PALETTE DE CHARBON	PALETTE DI CHARBONE
25	SPANNHUELSE	LOCATING PEG	DOVILLE DE ETRAGE	SPINA DI RISCONTRO
26	SEITENDECKEL	SIDE SHIELD	FLASQUE	FLANGIA
27	SEITENDECKEL	SIDE SHIELD	FLASQUE	FLANGIA
29	INNENSECHSKANTSCHRAUBE	SOCKET HEAD SCREW	VIS HEXAGONALE INTERNE	VITE ESAGONALE INTERNA
30	DICHTUNG	GASKET	JOINT	GUARNIZIONE
33	KUEHLER	COOLER	REFROIDISSEUR	RAFFREDDATORE
34	DICHTUNG	GASKET	JOINT	GUARNIZIONE
35	INNENSECHSKANTSCHRAUBE	SOCKET HEAD SCREW	VIS HEXAGONALE INTERNE	VITE ESAGONALE INTERNA
36	Schutzkappe	PROTECTION CAP	CAPUCHON PROTECTEUR	COPPE DI PROTEZIONE
45	VENTILATOR MIT NABE	FAN	VENTILATEUR	VENTOLA
46	VENTILATOR MIT NABE	FAN	VENTILATEUR	VENTILATORE
48	PASSFEDER	KEY	CLAVETTE	CHIAVETTA
49	U-SCHEIBE	WASHER	RONDELLE	RONDELLA
50	WELLENENDSCHRAUBE TUFLOK	SHAFT END BOLD	VIS BOUT D'ARBRE	VITE DI CHIUSURA ALBERO
61	FILTERDECKEL	FILTER COVER	COUVERCLE DU FILTRE	COPERCHIO FILTRO
67	ANPRESSFEDER	SPRING	RESSORT	MOLLA
72	FILTERPATRONE	FILTER CARTRIDGE	CARTOUCHE FILTRE	CARTUCCIA FILTRO
73	FILTERPATRONE	FILTER CARTRIDGE	CARTOUCHE FILTRANTE	CARTUCCIA FILTRO
76	INNENSECHSKANTSCHRAUBE	SOCKET HEAD SCREW	VIS HEXAGONALE INTERNE	VITE ESAGONALE INTERNA
77	DICHTUNG	SEALING RING	JOINT	ANELLO
78	O-RING	O-RING	ANNEAU-O	ANELLO-O
81	HAUBE KOMPLETT	PROTECTING HOOD	CARTER PROTECTEUR	CAPOTO DI PROTEZIONE
83	HAUBE KOMPLETT	PROTECTING HOOD	CARTER PROTECTEUR	CAPOTO DI PROTEZIONE
84	SCHEIBE	WASHER	RONDELLE	RONDELLA
85	SENKSCHEIBE	SCREW	VIS	VITE
86	KABELTUELLE	RUBBER BUSHING	PROTECTION EN CAOUTCHOUC	PROTEZIONE IN GOMMA
87	MOTORFUSS	FOOT	PIED	PIEDE
89	DAEMPFUNGSSTREIFEN	ANTIVIBRATING STRIP	ARMORTISSEUR	AMORTIZZATORE
90	KANTENSCHUTZ	EDGE PROTECTION	PROTECTION D'ARETE	LISTELLO DI PROTEZIONE

DT/VT 3.10 / 3.16 / 3.25 / 3.40 / 3.60

Pos	Beschreibung	Description	Designation	Designazione
91	KABELTUELLE	RUBBER BUSHING	PROTECTION EN CAOUTCHOUC	PROTEZIONE IN GOMMA
92	KANTENSCHUTZ	EDGE PROTECTION	PROTECTION D'ARETE	LISTELLO DI PROTEZIONE
93	INNENSECHSKANTSCHRAUBE	SOCKET HEAD SCREW	VIS HEXAGONALE INTERNE	VITE ESAGONALE INTERNA
94	UNTERLEGSSCHEIBE	WASHER	RONDELLE	RONDELLA
95	BLECHSTREIFEN	METALSHEET	TÔLE	LAMIERA
97	VENTILTELLER	VALVE DISC	DISQUE DE SOUPAPE	DISCO DI VALVOLA
98	KABELTUELLE	RUBBER BUSHING	PROTECTION EN CAOUTCHOUC	PROTEZIONE IN GOMMA
99	DISTANZROHR	SPACER TUBE	TUBE D'ECARTEMENT	TUBO DISTANZA
100	RINGSCHRAUBE	RING SCREW	PITON	GANCIO
141	VAKUUMREGULIERVENTIL	VACUUM REGULATING VALVE	SOUPAPE REGLAGE VIDE	VALVOLA REGOLARE VUOTO
142	DRUCKREGULIERVENTIL	PRESSURE REGULAT.VALVE	SUOPAPE REGLAGE PRESS.	VALVOLA REGULAZ.PRESS.
145	ABBLASEVENTIL	SILENCER	SILENCIEUX	SILENZIATORE
146	DUESE	NOZZLE	BUSE	UGGELLO
148	DICHTRING	GASKET	JOINT	GUARNIZIONE
150	VERSCHLUSS-SCHRAUBE	LOCKING SCREW	BOUCHON	VITE DI CHIUSURA
M 2	KLEMMKASTENDECKEL	TERMINALBOX COVER	COUVERCLE BOITE A BORNE	COPERCHIO MORSETIERA
M 3	WÄELZLAGER	BALL BEARING	ROULEMENT À BILLES	CUSCINETTO A SFERA
M 4	WÄELZLAGER	BALL BEARING	ROULEMENT À BILLES	CUSCINETTO A SFERA
M 6	DICHTUNGSSCHLAUCH	SEAL	JOINT	GUARNIZIONE
M 7	MOTORLAGERSCHILD A-SEITE	ENDSHIELD	COUVERCLE	COPERCHIO
M 8	MOTORLAGERSCHILD B-SEITE	ENDSHIELD	COUVERCLE	COPERCHIO
M11	PASS-SCHEIBE	DISTANCE DISC	DISQUE DE TOLERANCE	DISCO A DISTANZA
M13	TELLERFEDER	CUP SPRING	RESSORT BELLEVILLE	MOLLA A DISCO

		Bestell Nr. Ident No. No. Identification		DT/VT 3.10				Bestell Nr. Ident No. No. Identification		DT/VT 3.16				Bestell Nr. Ident No. No. Identification		DT/VT 3.25	
Pos.	Serie	No. Identification		Pos.	Serie	No. Identification		Pos.	Serie	No. Identification		Pos.	Serie	No. Identification		Pos.	Serie
7		95420802000	142 D...	72800399611	7	95420702000	87 ...B	01510016300	7	VT	95420703000	84		94940100000			
9		96421501000	142 ...C	72800404000	9	96421600000	87 C...	01510116300	8	DT	95420303000	85 B...		94950800000			
12		94876600000	145	72750206000	12	94876600000	89	06090116300	9	VT	96421500000	85 ...A		94990900000			
15		02000016200	146 ...C	94312500000	15	02000016300	91	95190600000	9	DT	96422600000	85 ...A		94991400000			
16		01680005000	146 D...	94313100000	16	01680016300	93	94532200000	12		96876600000	86 B...		95191300000			
17		91100100000	148 ...C	94807000000	17	91100900000	94	94945100000	15		02000016400	87 D...		01510216400			
18		94920300000	148 D...	94808600000	18	94920300000	97 D...	02960016300	16		01680016500	89		06090116300			
19		94532000000	150	95122400000	19	94532000000	97	94990900000	17		91101200000	90	DT	96410800000			
21		00010016200	M 2	46110101000	21	00010516300	98	96810400000	18		94920300000	91		95190600000			
23		94531900000	M 3	90661590000	23	94532100000	141 F...	73600199613	19		94532000000	92	VT	96411000000			
24		90132700000	M 4	90661140000	24	90134700000	141 ...E	73600204000	21	...D	00010016400	93		94532200000			
25		95200900000	M 6	91131800000	25	95200900000	142 F...	72800399611	21	E...	00010116400	94		94945100000			
26		00070016200	M 7	00090016200	26	00070516300	142 ...E	72800404000	22		95180600000	95		01110016500			
29		94536400000	M 8	40090112000	27	00070816300	145	72750206000	23		94532000000	97		83390399597			
30	...B	00890016200	M13	91710100000	29	94537200000	146	94312500000	24		90134900000	98 B...		95190600000			
30	C...	00890116200			30	00890016300	146 F...	94313100000	25		95200900000	98		96810400000			
61		00480116200			30	E...	148 ...E	94807000000	26	...D	00070016500	99 B...		06800216500			
67		00900016300			33	56020016300	148 F...	94808600000	27	E...	00071016500	99 ...A		06800416300			
72		90951800000			33	DTK	150	95122400000	27	...B	00070216500	100 B...		54880016300			
73		90951800000			34		M 2	46110214000	27	D...	00070416500	141 F...		73600199613			
76		94536400000			35		M 3	90661610000	29		94537300000	141 ...E		73600204000			
77		94802100000			61	...E	M 4	90669000000	30		00890016500	142 F...		72800399611			
78		91316100000			61	F...	M 6	91132900000	33	...B	56020016400	142 ...E		72800404000			
81		00680016200			67		M 7	00090016300	33	D...	56020116400	145		72750206000			
84		94940100000			72		M 8	40090514000	34		00570016500	146	...B	94312700000			
85		94950800000			73		M13	91710200000	35	...D	94532200000	146 D...		94312900000			
86	...B	95191300000			76				35	E...	94536300000	146 F...		94313200000			
87		01510116200			77				36	...E	03490016400	148	...E	94807000000			
89		06090116300			78				46	D...	50230016400	148 F...		94808600000			
91		95190600000			81	VT			48	D...	94771300000	150		95122500000			
93		94532300000			83	DT			49	D...	94945400000	M 2	Halm	46110616000			
94		94945100000			84				50	D...	90180400000	M 2	Dietz	46110718000			
97	...B	02960016300			85	D...			61	...B	00480016400	M 3	Halm	90661390000			
98		96810400000			85	...B			61	D...	00480216500	M 3	Dietz	90661630000			
141	D...	73600199613			85	C			61	F...	00480316500	M 4	Dietz	90661520000			
141	...C	73600204000			86	D...			67		00900016300	M 4	Halm	90661580000			
									72	D...	90950500000	M 6		91131200000			
									72	...B	90952100000	M 7	Halm	00090016400			
									73	...B	90952100000	M 7	Dietz	00090116400			
									73	D...	90952900000	M 8	Halm	40090716000			
									76	...B	94536800000	M 8	Dietz	40090820000			
									76	D...	94537300000	M11		91751600000			
									77		94802100000	M13	Halm	91710200000			
									78		91316100000	M13	Dietz	91710300000			
									81	D.../VT	00680016400						
									81	...B/VT	50680016400						
									83	..B/DTK	50680216400						
									83	D.../DTK	50680416400						

Service: Tel. (02 02) 6 97-1 71 · Fax (02 02) 64 44 74 · E-mail: becker@becker.wuunet.de · http://www.becker-international.com

Gabr. Becker GmbH & Co.KG · Hölker Feld 29-31 · D-42279 Wuppertal · Tel. (02 02) 9 97-0 · Fax (02 02) 66 08 55

DT/VT 3.40				VT 3.60							
Pos.	Serie	Bestell Nr. Ident No. No. Identification No. Identificazione		Pos.	Serie	Bestell Nr. Ident No. No. Identification No. Identificazione					
7	VT	95420501000	49	9495400000	141	F...	73600199613	15	02000124600	99	06800216500
8	DT	95420300000	50	90180400000	141	...E	73600705000	16	01680016500	100	54880016300
9		96420300000	61	...E 00480216500	142	F...	72800399611	17	91100800000	141	73600199613
12		94876600000	61	F... 00480316500	142	...E	72800605000	18	94920300000	145	72750206000
15		02000016500	67	00900016300	145		72750206000	19	94532300000	148	94808600000
16		01680016500	72	90950500000	146	...E	94312600000	21	00010124600	M 2	46110320000
17		91100800000	73	...B 90950500000	146	F...	94313300000	22	95200900000	M 3	90661520000
18		94920300000	73	D... 90952900000	148	...E	94806200000	24	90137200000	M 4	90661520000
19		94532000000	76	94537300000	148	F...	94808600000	26	00070324600	M 6	91130500000
21	...D	00010016500	77	94802100000	150		95122500000	29	94532200000	M 7	40090119000
21	E...	00010216500	78	91316100000	M 2		46110320000	29	94538300000	M 8	40090219000
22	DT	95180600000	81	...D/VT 50680016500	M 3		90661520000	30	00890016500	M11	91751600000
23		94532200000	81	E.../VT 50681316500	M 4		90661520000	45	50230116500	M13	91710300000
24		90135200000	83	...B/DTK 50680216500	M 6		91130500000	48	94771300000		
25		95200900000	83	D.../DTK 50680416500	M 7		40090119000	49	94945400000		
26	...D	00070016500	83	E.../DTK 50680616500	M 8		40090219000	50	90180400000		
26	E...	00071016500	84	D... 94940100000	M11		91751600000	61	00480316500		
27	...B	00070216500	84	B... 94940300000	M13		91710300000	67	00900016300		
27	D	00070416500	85	B... 94950800000				72	90950500000		
27	E...	00070816500	85	...A 94991600000				76	94537300000		
29		94537400000	86	B... 95191300000				77	94802100000		
30		00890016500	87	01510116500				78	91316100000		
33		56020016500	89	06090116300				81	51830024600		
33	...D	56020116400	90	DT 96410800000				84	94940100000		
33	E...	56020216500	91	95190600000				85	94950800000		
34	...D	00570016500	92	VT 96410900000				86	95191300000		
34	E...	00570116500	93	94532300000				87	01510116500		
35	...D	94532200000	94	94945100000				89	06090116300		
35	E...	94536300000	95	DT 01110016500				91	95190600000		
36	E...	03490016500	97	83390399597				93	94532300000		
45	VT	50230210700	98	95190600000				94	94945100000		
46	DTK	50230116500	99	06800216500				97	83390399597		
48		94771300000	100	54880016300				98	95190600000		