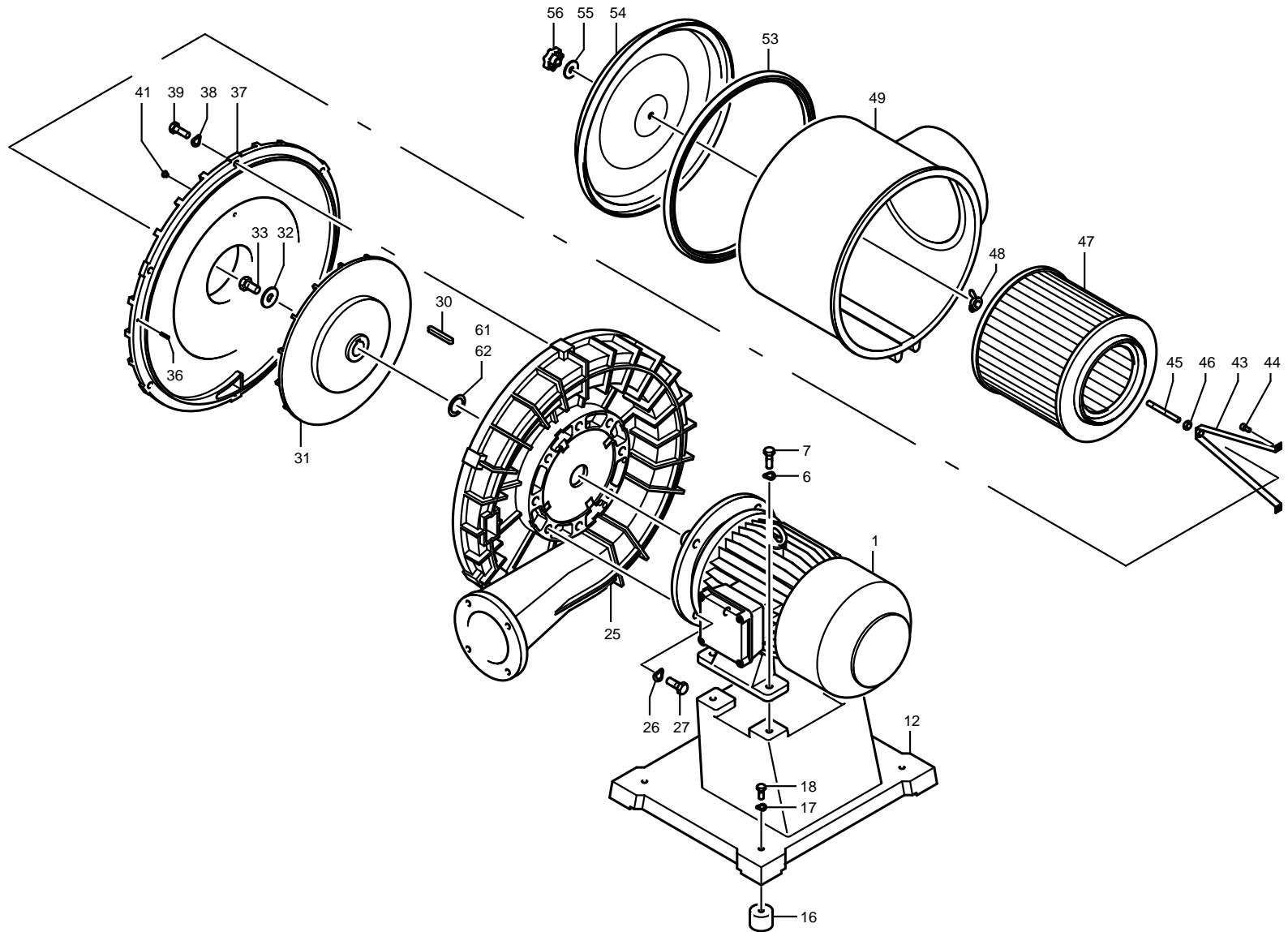


Pos.	Serie	Bestell Nr.	Ident No.	No. Identification	No. Identificazione
------	-------	-------------	-----------	--------------------	---------------------

6		95171000000			
7		94523700000			
12		01510125200			
16		74130200000			
17		95170700000			
18		94522900000			
25		00010025200			
26		95170500000			
27		94524200000			
30		94774900000			
31	1.3230	00060025200			
31	1.3229	00060125200			
31	1.3228	00060225200			
32		94940500000			
33		94527000000			
36		95200500000			
37	1.3230	00020025200			
37	1.3229	00020125200			
37	1.3228	00020225200			
38		95171000000			
39		94523700000			
41		91283000000			
43		06450097000			
44		94531800000			
45		96790400000			
46		94710500000			
47		90951500000			
48		95165000000			
49		56710097000			
53		01010197000			
54		04020097000			
55		94945203000			
56		92150100000			
61		91753300000			
62		91753400000			



RV 1.3230; RV 1.3229; RV 1.3228

Pos	Beschreibung	Description	Designation	Designazione
6	FEDERSCHEIBE A 10 DIN 137	DISC	DISQUE	DISCO
7	SECHSKANTSCHRAUBE M 10X30 DIN 933	HEX-HEAD SCREW M 10X30 DIN 933	VIS HEXAGONALE M 10X30 DIN 933	VITE ESAGONALE M 10X30 DIN 933
12	GERAETEFUSS	FOOT	PIED	PIEDE
16	GUMMIPUFFER 781084	RUBBER BUFFER 781084	AMORTISSEUR EN CAOUTCHOUC 781084	AMMORTIZZATORE IN GOMMA 781084
17	FEDERSCHEIBE A 8 DIN 137	DISC	DISQUE	DISCO
18	SECHSKANTSCHRAUBE M 8X20 DIN 933	HEX-HEAD SCREW M 8X20 DIN 933	VIS HEXAGONALE M 8X20 DIN 933	VITE ESAGONALE M 8X20 DIN 933
25	GEHAEUSE	PUMP BODY	CARCASSE	CARCASSA
26	FEDERSCHEIBE B 12 DIN 137	DISC	DISQUE	DISCO
27	SECHSKANTSCHRAUBE M 12X30 DIN 933	HEX-HEAD SCREW M 12X30 DIN 933	VIS HEXAGONALE M 12X30 DIN 933	VITE ESAGONALE M 12X30 DIN 933
30	PASSFEDER	KEY	CLAVETTE	CHIAVETTA
31	LAUFRAD	IMPELLER	ROUE	GIRANTE
32	UNTERLEGSCHLEIFE	WASHER	RONDELLE	RONDELLA
33	WELLENENDSCHRAUBE	SHAFT END BOLD	VIS SITUEE EN BOUT D'ARBRE	VITE DI CHIUSURA DELL'ALBERO
36	SPANNHUELSE	LOCATING PEG	DOUILLE DE ETRAGE	SPINE DI RISCONTRO
37	GEHAEUSEDECKEL	HOUSING LID	COUVERCLE	COPERCHIO
38	FEDERSCHEIBE A 10 DIN 137	DISC	DISQUE	DISCO
39	SECHSKANTSCHRAUBE M 10X30 DIN 933	HEX-HEAD SCREW M 10X30 DIN 933	VIS HEXAGONALE M 10X30 DIN 933	VITE ESAGONALE M 10X30 DIN 933
41	PLASTIKSTOPFEN	CUP NUT	ECROU BORGNE	CAPRIDADO IN GOMMA
43	BEFESTIGUNGSBUEGEL	HOLDING CLAMP	BANDE DE FIXATION	STAFFA DI FISSAZIONE
44	INNENSECHSKANTSCHRAUBE M6X12 DIN912	SOCKET HEAD SCREW M 6X12 DIN 912	VIS HEXAGONALE INTERNE M 6X12 D 912	VITE ESAGONALE INTERNA M 6X12 D 912
45	GEWINDESTANGE	THREADED PIN	GOUPILLE FILETEE	SPINA FILETTOTA
46	SKT.MUTTER M 8 DIN 934	HEX.NUT M 8 DIN 934	ECROU A 6 PANS M 8 DIN 934	DADO ESAGONALE M 8 DIN 934
47	FILTERPATRONE C 24355/1	FILTER CARTRIDGE C 24355/1	CARTOUCHE FILTRANTE C 24355/1	CARTUCCIA FILTRANTE C 24355/1
48	FLUEGELMUTTER M8 DIN 315	NUT	ECROU	DADO
49	FILTERGEHAEUSE RV 33	FILTER HOUSING	BOITE POUR FILTRE	CONTENITORE FILTRO A CARTUCCIA
53	DICHTGUMMI	GASKET	JOINT	GUARNITONE
54	DECKEL RV 33/2-114.1	LID RV 33/2-114.1	COUVERCLE RV 33/2-114.1	COPERCHIO RV 33/2-114.1
55	U-SCHLEIFE 8.4 MM	WASHER 8.4 MM	RONDELLE 8.4 MM	RONDELLA 8.4 MM
56	HANDGRIFF	HANDLE	POIGNEE	MANETTA
61	PASS-SCHLEIFE	DISTANCE DISC	DISQUE DE TOLERANCE	DISCO A DISTANZA
62	PASS-SCHLEIFE	DISTANCE DISC	DISQUE DE TOLERANCE	DISCO A DISTANZA