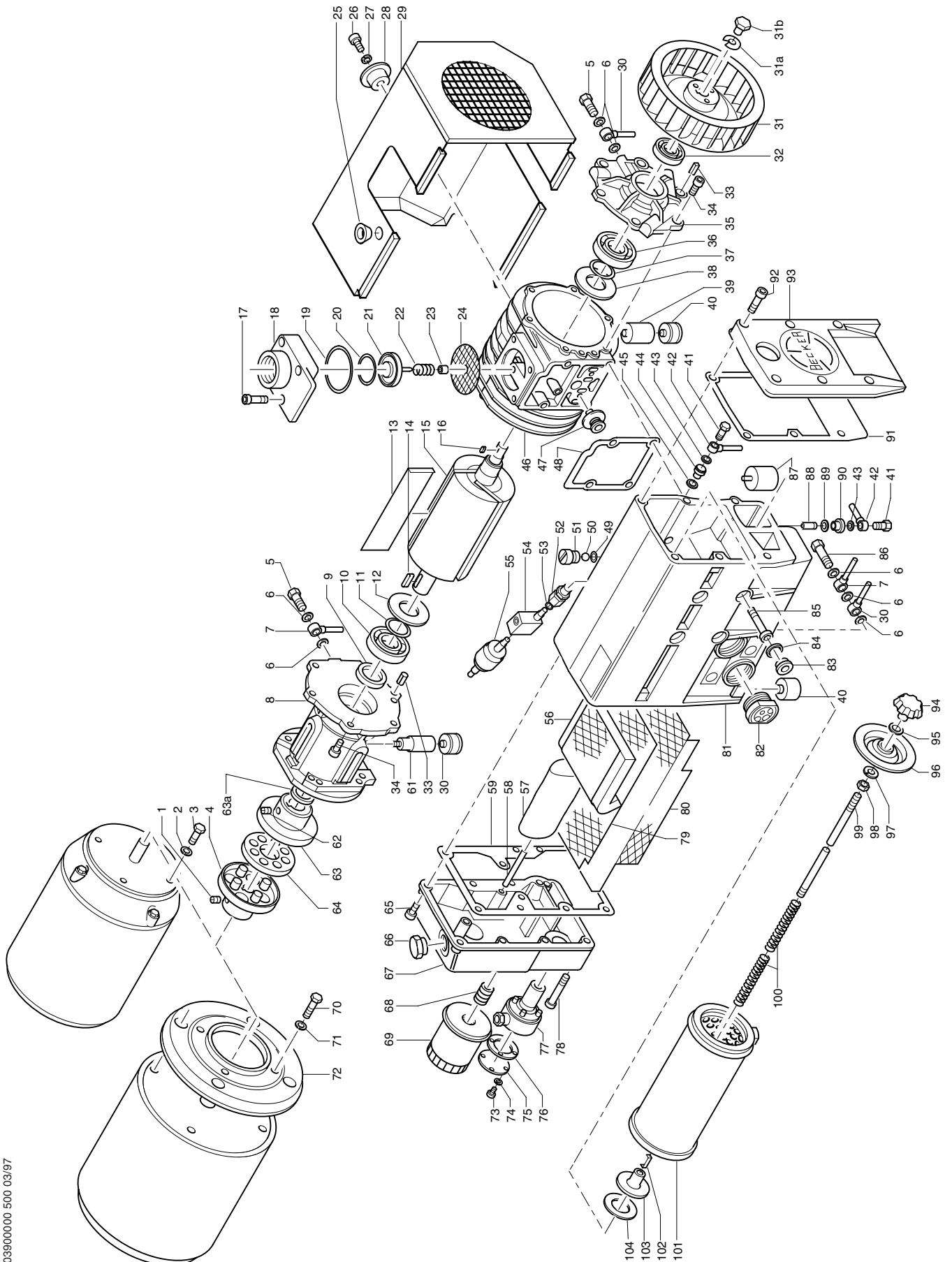


**Ersatzteilliste**  
**Spare parts list**  
**Liste de pièces de rechange**  
**Listino pezzi di ricambio**

**U 2.70**  
**U 2.100**



## U 2.70-2.100

Pos	Beschreibung	Description	Designation	Designazione
-	SATZ DICHTUNGEN	GASKET SET COMPLETE	JEU DES JOINT	SET DI GUARNIZIONI
1	GEWINDESTIFT	THREADED PIN	GOUPILLE FILETEE	SPINA FILETTOTA
2	FEDERING	SPRING WASHER	ANNEAU RESSORT	ANNELLO A MOLLA
3	SECHSKANTSCHRAUBE	HEX-HEAD SCREW	VIS HEXAGONALE	VITE ESAGONALE
4	MOTORKUPPLUNGSHAELFTE	COUPLING MOTORSIDE	ACCOUPLLEMENT MOTEUR	GUINTO MOTORE
5	HOHLSCHRAUBE	HOLLOW SCREW	VIS CREUSE	VITE PASSAGGIO OLIO
6	DICHTRING	GASKET	JOINT	GUARNIZIONE
7	OELSAUGLEITUNG	OIL PIPE	TUYAU D'HUILE	CONDOTTO OLIO
8	SEITENDECKEL M. LATERNE	LID WITH FLANGE	COUVERCLE AVEC BRIDE	COPERCHIO CON FLANGIA
9	WELLENDICHTRING	SHAFT SEALING RING	BAGUE D'ETANCHEITE	ANELLO DI TENUTA
10	WAEZLAGER	BEARING	ROULEMENT	CUSCINETTO
11	PASS-SCHEIBE	DISTANCE DISC	DISQUE DE TOLERANCE	DISCO A DISTANZA
12	LAGERDICHTRING	GASKET	JOINT	GUARNIZIONE
13	SCHIEBER KUNSTSTOFF	ROTOR VANE IN PLASTIC	PALETTE ON PLASTIQUE	PALETTE IN PLASTICA
14	PASSFEDER	KEY	CLAVETTE	CHIAVETTA
15	KOLBEN	ROTOR	PISTON	ROTORE
16	PASSFEDER	KEY	CLAVETTE	CHIAVETTA
17	INNENSECHSKANTSCHRAUBE	SOCKET HEAD SCREW	VIS HEXAGONALE INTERNE	VITE ESAGONALE INTERNA
18	SAUGFLANSCH	SUCTION FLANGE	BRIDE D'ASPIRATION	FLANGIA ASPIRAZIONE
19	O-RING	O-RING	ANNEAU-O	ANNELLO-O
20	O-RING	O-RING	ANNEAU-O	ANNELLO-O
21	VENTILBOLZEN	VALVE BOLT	SOUPAPE BOULON	VALVOLA BULLONE
22	DRUCKFEDER	PRESSURE SPRING	RESSORT DE PRESSION	MOLLA DELLA PRESSIONE
24	SIEB	SIEVE	FILTRE	FILTRO
25	PLASTIKSTOPFEN	CUP NUT	ECROU BORGNE	CAPRIDADO IN GOMMA
26	INNENSECHSKANTSCHRAUBE	SOCKET HEAD SCREW	VIS HEXAGONALE INTERNE	VITE ESAGONALE INTERNA
27	FEDERSCHEIBE	DISC	DISQUE	DISCO
28	SCHRAUBDECKEL	COVER	COUVERCLE	COPERCHIO
29	HAUBE	PROTECTING HOOD	CARTER PROTECTEUR	CAPOTO DI PROTEZIONE
30	OELSAUGLEITUNG	OIL PIPE	TUYAU D'HUILE	CONDOTTO OLIO
31	VENTILATOR MIT NABE	FAN	VENTILATEUR	VENTOLA
31a	U-SCHEIBE	WASHER	RONDELLE	RONDELLA
31b	WELLENENDSCHRAUBE	SHAFT END BOLD	VIS BOUT D'ARBRE	VITE DI CHIUSURA ALBERO
32	WELLENDICHTRING	SHAFT SEALING RING	BAGUE D'ETANCHEITE	ANELLO DI TENUTA
33	SPANNHUELSE	LOCATING PEG	DOUILLE DE ETRAGE	SPINE DI RISCONTRO
34	INNENSECHSKANTSCHRAUBE	HEX HEAD SCREW	VIS HEXAGONALE	VITE ESAGONALE
35	SEITENDECKEL B	LID B	COUVERCLE B	COPERCHIO B
36	WAEZLAGER	BEARING	ROULEMENT	CUSCINETTO
37	PASS-SCHEIBE	DISTANCE DISC	DISQUE DE TOLERANCE	DISCO A DISTANZA
38	LAGERDICHTRING	GASKET	JOINT	GUARNIZIONE
39	ZWISCHENSTUECK	FLANGES	BRIDES	FLANGE
40	GUMMIPUFFER	RUBBER BUFFER	AMORTISSEUR EN CAOUTCHOUC	AMMORTIZZATORE IN GOMMA
41	KUGELSTUECKSCHRAUBE	HOLLOW HOLDING SCREW	VIS CREUSE DE FIXATION	VITE PASSAGGIO OLIO
42	OELRUECKSAUGLEITUNG	OIL RETURN PIPE	TUYAU D'HUILE	CONDOTTO OLIO
43	DICHTRING	SEALING RING	JOINT	ANELLO
44	ANSCHLUSSSCHRAUBE	CONNECTING SCREW	VIS DE RACCORD	ATTACO FILETTATO
45	DICHTRING	GASKET	JOINT	GUARNIZIONE
46	GEHAEUSE	PUMP BODY	CARCASSE	CARCASSA
47	VENTIL KOMPL.	VALVE	SOUPAPE	VALVOLA
48	DICHTUNG	GASKET	JOINT	GUARNIZIONI
49	O-RING	O-RING	ANNEAU-O	ANNELLO-O

## U 2.70-2.100

Pos	Beschreibung	Description	Designation	Designazione
50	KUGEL	BALL	BILLE	SFERA
52	VERSCHRAUBUNG	NIPPLE	ASSEMBLAGE	RACCORDO A VITE
53	O-RING	O-RING	ANNEAU-O	ANNELLO-O
55	FILTER	FILTER	FILTRE	FILTRO
56	FILTERPAKET	FILTER INSERT	FILTRE DE RECHANGE	FILTRO DI RICAMBIO
57	FILTERPAKET	FILTER INSERT	FILTRE DE RECHANGE	FILTRO DI RICAMBIO
58	ZYLINDERSTIFT	STRAIGHT PIN	GOUPILLE CYLINDRIQUE	PERNO
59	DICHTUNG	GASKET	JOINT	GUARNIZIONI
60	GUMMIPUFFER	RUBBER BUFFER	AMORTISSEUR EN CAOUTCHOUC	AMMORTIZZATORE IN GOMMA
61	STUETZE	SUPPORT PILLAR	SUPPORT INTERMEDIAIRE	SUPPORTO
62	GEWINDESTIFT	THREADED PIN	GOUPILLE FILETEE	SPINA FILETTOTA
63	GEBLAESEKUPPLUNG	COUPLING PUMP	ACCOUPEMENT POMPE	GUINTO POMPA
64	KUPPLUNGSSCHEIBE	COUPLING DISC	DISQUE D'ACCOUPEMENT	DISCO GUINTO
65	INNENSECHSKANTSCHRAUBE	HEX HEAD SCREW	VIS HEXAGONALE	VITE ESAGONALE
66	VERSCHLUSSCHRAUBE	LOCKING SCREW	BOUCHON	VITE DI CHIUSURA
67	OELBEHAELTERDECKEL	OIL TANK COVER	COUVERCLE DE ROULEMENTE	COPERCHIO SERBATOIO OLIO
68	GEWINDENIPPEL	THREADED NIPPLE	RACCORD FILETE	RACCORDO FILETTATO
69	OELFILTER	OIL FILTER	FILTRE A'HUILE	FILTRO DELL' OLIO
70	SECHSKANTSCHRAUBE	HEX-HEAD SCREW	VIS HEXAGONALE	VITE ESAGONALE
71	FEDERING	SPRING WASHER	ANNEAU RESSORT	ANNELLO A MOLLA
72	ZWISCHENFLANSCH	FLANGES	BRIDES	FLANGE
73	BEFESTIGUNGSSCH	SCREW	VIS	VITE
74	DICHTRING	GASKET	JOINT	GUARNIZIONE
75	VERSCHLUSSDECKEL	CAP	COUVERCLE	COPERCHIO
76	DICHTUNG Z.OELSTANDSCHALTER	GASKET	JOINT	GUARNIZIONE
77	OELSTANDSCHALTER	OIL LEVEL SWITCH	INTERRUPTEUR NIVEAU HUILE	INTERRUTTORE NIVELLO OLIO
78	INNENSECHSKANTSCHRAUBE	HEX HEAD SCREW	VIS HEXAGONALE	VITE ESAGONALE
79	FILTERBLECH	METAL FILTER	FILTRE METALIQUE	FILTRO METALICO
80	FILTERBLECH	METAL FILTER	FILTRE METALIQUE	FILTRO METALICO
81	OELBEHAELTER-ABSCHIEDER	OIL SUMP-CASING OF OIL SEPARATOR	CARTER DE DESHUILEUR	CARCASSA SEPARATORE OLIO
82	OELSCHAUGLAS	OIL SIGHT GLASS	VOILLANT D HUILE	SPIA LIVELLO OLIO
83	VERSCHLUSSSCHRAUBE	LOCKING SCREW	BOUCHON	TAPPO DI CHIUSURA
84	DICHTRING	GASKET	JOINT	GUARNIZIONE
85	INNENSECHSKANTSCHRAUBE	SOCKET HEAD SCREW	VIS HEXAGONALE INTERNE	VITE ESAGONALE INTERNA
86	HOHLSCHRAUBE	HOLLOW SCREW	VIS CREUSE	VITE ESAGONALE
87	SCHWIMMER	FLOAT	PIED CAOUTCHOVE	GALLEGGIANTE
88	DUESE	NOZZLE	BUSE	UGGELLO
89	DICHTRING	SEALING RING	JOINT	ANELLO
90	ANSCHLUSSCHRAUBE	CONNECTING SCREW	VIS DE RACCORD	ATTACO FILETTATO
91	DICHTUNG MIT SIEB	GASKET	JOINT	GUARNIZIONI
92	INNENSECHSKANTSCHRAUBE	SOCKET HEAD SCREW	VIS HEXAGONALE INTERNE	VITE ESAGONALE INTERNA
93	OELABSCHIEDERDECKEL	OIL SEPARATOR COVER	SEPARATEUR D'HUILE	SEPARATORE OLIO
94	HANDGRIFF Z. SAUGFLD.	HANDLE	POIGNEE	MANOPOLA
95	DICHTRING	SEALING RING	JOINT	ANELLO A14X18 DIN 7603/VF
96	SPANNSCHEIBE	CLAMPING DISC	DISQUE DE SERRAGE	DISCO DI FISSAGGIO
97	SEGER-RING	SEGER-LOCKRING	BAGUE DE SURETE	ANNELLO DI SICUREZZA
98	SKT.MUTTER	HEX.NUT	ECROU A 6 PANS	DADO ESAGONALE
99	STIFTSCHRAUBE	STUD	TOURILLON	L'ASTA A VITE
100	DRUCKFEDER	PRESSURE SPRING	RESSORT DE PRESSION	MOLLA DELLA PRESSIONE
101	LUFTENTOELEMENT	OIL SEPARATING ELEMENT	CARTOUCHE SEPARATEUR D HUILE	CARTUCCIA SEPARATORE OLIO
102	BLATTFEDER	LAMINATED SPRING	RESSORT-LAME	LA MOLLA PIATTA
103	VENTILTeller	VALVE DISC	PLATEAU DE SOUPEPE	DISCO DI VALVOLA

Bestell Nr. Ident No. No. Identification		<b>U 2.70</b>		Bestell Nr. Ident No. No. Identification			
Pos.	Serie	No. Identificazione		Pos.	Serie	No. Identificazione	
-		54900010700	35	00070010700	73	94631000000	
1		94610400000	36	90662200000	74	94805000000	
2		94850700000	37	91750100000	75	00560000000	
3		94511700000	38	91760900000	76	81580000000	
4	8288<	00210719000	39	56800110700	77	74110100000	
4	...D-US	00210210600	40	74131100000	77a	74110200000	
4	...D 24	00210010600	41	00940019000	78	94532400000	
4	E... 24	90210010600	42	01190010700	79	00800010700	
4	E...US	90210210600	43	94800200000	80	00800110700	
4	E... 28	90210110600	44	91230000000	81	00240210700	
5		94840100000	45	94802300000	82 ...C	90730200000	
6		94802300000	46	00010010600	82 D...	90730900000	
7		01150010600	47	53750010700	83	95120200000	
8		00080010700	48	00310010700	84	94803100000	
9		90656000000	49 ...B	91316100000	85	94532800000	
10		90662200000	50 ...B	91690300000	86	94840300000	
11		91750100000	51 ...B	06790010700	87	86780099559	
12		91760900000	52 ...B	95001000000	88	00330010700	
13		90051100000	53 ...B	91310000000	89	94802200000	
14		94773200000	54* ...B	06870010700	90	91230000000	
15		52000010600	55 ...B	74000101000	91	50300010700	
16		94771300000	56	50600010700	92	94532200000	
17		94532200000	57	00600110700	93	00250010700	
18		00460010700	58	94761600000	94	52150639000	
19		91311900000	59	00700010700	95	94804500000	
20	...A	91311100000	60	74131100000	96	01680010700	
21	...A	02850110700	61	56810010700	96	51680112900	
21	B...	53540210700	62	94610400000	97	94810200000	
23		01390010600	63 ...D	00200010600	98	94710500000	
24	...B	00500010700	63a 8288>	01140010700	99	00380010700	
24	C...	00500310700	63 E...	90200010600	100	93430200000	
25		30040002000	64 8288<	00220020000	101	96540200000	
26		94532900000	64 ...D	00220010600	102	82860299342	
27		95170700000	64 E...	90220010600	103	52320010700	
28		00390027000	65	94532000000			
29		51650010700	66	91290000000			
30		01150110700	67	00170310700			
31		50230210700	68	93890000000			
31a		94945400000	69	03490010700			
31b		90180400000	69	76530105000			
32		90656000000	70	94511800000			
33		95200200000	71	94850700000			
34		94532000000	72	03790010100			

Bestell Nr. Ident No. No. Identification		<b>U 2.100</b>		Bestell Nr. Ident No. No. Identification			
Pos.	Serie	No. Identificazione		Pos.	Serie	No. Identificazione	
-		54900010700	35	00070010700	73	94631000000	
1		94610400000	36	90662200000	74	94805000000	
2		94850700000	37	91750100000	75	00560000000	
3		94511700000	38	91760900000	76	81580000000	
4	...D 28	00210110600	39	56800110700	77	74110100000	
4	8270<	00210819000	40	74131100000	77a	74110200000	
4	...D-US	00210210600	41	00940019000	78	94532400000	
4	E... 28	90210110600	42	01190010700	79	00800010700	
4	E... 24	90210010600	43	94800200000	80	00800110700	
4	E...US	90210210600	44	91230000000	81	00240210700	
5		94840100000	45	94802300000	82 ...C	90730200000	
6		94802300000	46	00010010700	82 D...	90730900000	
7		01150010700	47	53750010700	83	95120200000	
8		00080010700	48	00310010700	84	94803100000	
9		90656000000	49 ...B	91316100000	85	94532800000	
10		90662200000	50 ...B	91690300000	86	94840300000	
11		91750100000	51 ...B	06790010700	87	86780099559	
12		91760900000	52 ...B	95001000000	88	00330010700	
13		90051200000	53 ...B	91310000000	89	94802200000	
14		94773200000	54 ...B	06870010700	90	91230000000	
15		52000010700	55 ...B	74000101000	91	50300010700	
16		94771300000	56	50600010700	92	94532200000	
17		94532200000	57	00600110700	93	00250010700	
18		00460010700	58	94761600000	94	52150639000	
19		91311900000	59	00700010700	95	94804500000	
20	...A	91311100000	60	74131100000	96	01680010700	
21	...A	02850110700	61	56810010700	96	51680112900	
21	B...	53540210700	62	94610400000	97	94810200000	
22		03430073000	63 ...D	00200010600	98	94710500000	
24	...B	00500010700	63a 8270>	01140010700	99	00380010700	
24	C...	00500310700	63 E...	90200010600	100	93430200000	
25		30040002000	64 8270<	00220020000	101	96540200000	
26		94532900000	64 ...D	00220010600	102	82860299342	
27		95170700000	64 E...	90220010600	103	52320010700	
28		00390027000	65	94532000000			
29		51650010700	66	91290000000			
30		01150110700	67	00170310700			
31		50230210700	68	93890000000			
31a		94945400000	69	03490010700			
31b		90180400000	69	76530105000			
32		90656000000	70	94511800000			
33		95200200000	71	94850700000			
34		94532000000	72	03790010100			